

CLASSIFICATION REPORT

REACTION TO FIRE

according to PN-EN 13501-1+A1:2010

Contract nr: 1901/15/R19NP

Customer:	Profile Vox Sp. z o.o. Sp. k. 143 Gdynska Str. 62-004 Czerwonak
Prepared by:	Fire Research Department Building Research Institute 1 Filtrowa Str. 00-611 Warszawa
Product name:	Kerrafont FS-201 and Kerrafont FS-202 façade panels with finishing elements
Classification report №:	1901.6/15/R19NZPE (English version of 1901.6/15/R19NZPZ)
Issue nr: 1	Copy № 1
Date of issue:	2017-09-25

This classification report consists of four pages and may only be used or reproduced in its entirety.

1. introduction

This classification report defines the classification assigned to Kerrafont FS-201 and Kerrafont FS-202 façade panels with finishing elements in accordance with procedures given in PN-EN 13501-1+A1:2010.

2. Details of classified product

2.1. General

Kerrafont FS-201 and Kerrafont FS-202 wall panels made from unplasticized expanded poly(vinyl chloride) PVC-UE with the coextrusion top layer made from PVC-U with finishing elements made from PVC are used as external wall claddings.

2.1 Product description

The product is described below.

Kerrafront FS-201 and Kerrafront FS-202 façade panels with finishing elements. Maximum width: 332 mm Schematics of panels and finishing elements are included in Enclosure № 1 for this classification report.

The harmonised standard is PN-EN 13245-2.

Panels and finishing elements are produced by the company Profile Vox Sp. z o.o. S. K.

3. Test reports and test results as a basis of the classification

3.1. Test reports

Laboratory	Customer	Test report nr	Test method
Fire Testing Laboratory Building Research Institute	Profile Vox Sp. z o.o. S. K.	LZP04-1901/15/R19NP	PN-EN 13823+A1:2014
		LZP05-1901/15/R19NP	PN-EN ISO 11925-2:2010

3.2. Test results

Test method	Parameter	Number of tests	Results	
			Continuous parameter – mean (m)	Compliance with the parameter
PN-EN ISO 11925-2 30 s exposure Surface and edge exposure	Flame propagation $F_s \leq 150$ mm	12	(-)	Y
	Flaming droplets/particles		(-)	N
PN-EN 13823	FIGRA _{0,2MJ} [W/s]	3	564,2	(-)
	FIGRA _{0,4MJ} [W/s]		564,2	(-)
	LFS < edge		(-)	T
	THR _{600s} [MJ]		41,8	(-)
	SMOGRA [m ² /s ²]		488,2	(-)
	TSP _{600s} [m ²]		2637,2	(-)
	Flaming droplets/particles		(+)	T

(-): not applicable, Y: Yes, N: No

4. Classification and the field of application

4.1. Reference of the classification

The classification has been carried out in accordance with PN-EN 13501-1+A1:2010.

4.2. Classification

Kerrafront FS-201 and Kerrafront FS-202 façade panels with finishing elements, in relation to its reaction to fire behaviour are classified:

D

The additional classification in relation to smoke production is:

s3

The additional classification in relation to flaming droplets/particles is:

d2

The format of the reaction to fire classification for construction products excluding floorings and linear pipe thermal insulation products is:

Fire behaviour		Smoke production			Flaming droplets	
D	-	s	3	,	d	2

i.e.: **D-s3,d2**

Reaction to fire classification: D-s3,d2

4.3 Field of application

This classification is valid for the following parameters: **Kerrafront FS-201 and Kerrafront FS-202 façade panels with finishing elements** described in section 2.

This classification is valid for the following end-use applications:

- **Kerrafront FS-201 and Kerrafront FS-202 façade panels with finishing elements** mounted in any orientation directly or with an air gap on gypsum plasterboards or any incombustible substrates with reaction to fire class at least A2-s3,d0,
- **Kerrafront FS-201 and Kerrafront FS-202 façade panels with finishing elements** fixed mechanically or glued directly to the substrate.

5. Limitations

This classification will be valid until:

- The test method remains unchanged,
- Product standard or technical approval remains unchanged,
- Constructional or material modifications do not exceed limits of the field of application defined in 4.3.

This classification report has been issued in 3 copies. Additional approved copies can be issued by Fire Research Department – Building Research Institute under the request of the report's owner only.

The classification defined for the product and given in this report corresponds with the manufacturer declaration of performance - system 3 and CE marking according to the harmonized standard and "Construction products Directive".

The manufacturer declared that during the product formulation process do not occur any special processes, procedures, steps (eg. addition of fire retardants, decreasing of the organic substrates or addition of fillers), which could improve the fire properties of the product and in consequence the higher fire classification. In the consequence the

manufacturer declares that the declaration of performance - system 3 is appropriate. The manufacturer declaration is archived.

Resume, the research laboratory does not participate in the sampling, although it has got appropriate information given by the producer to allow the identification of tested samples.

This classification document does not represent the approval or certification of the product.

Signed



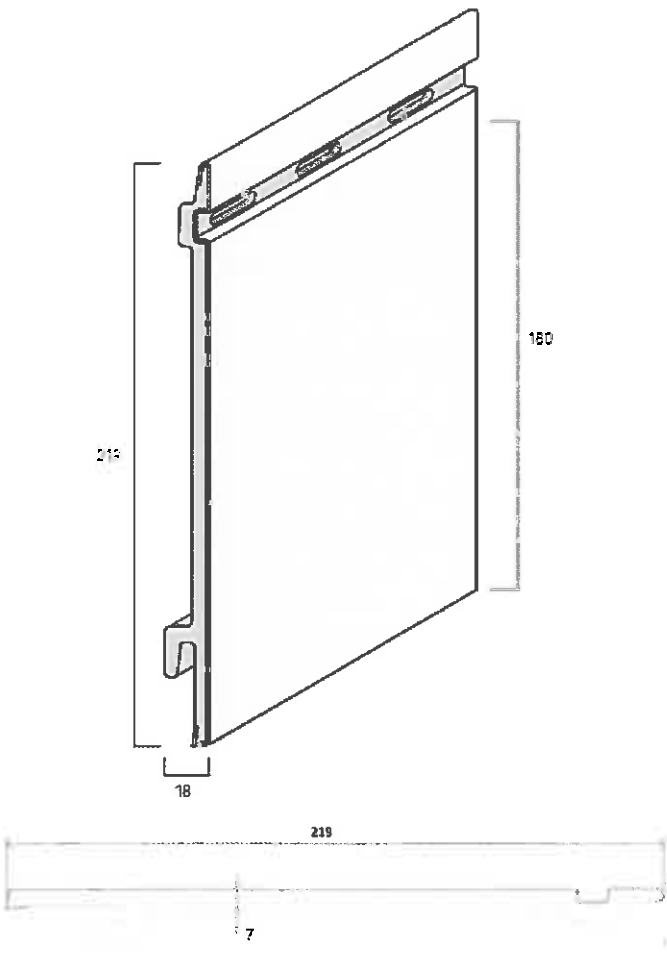
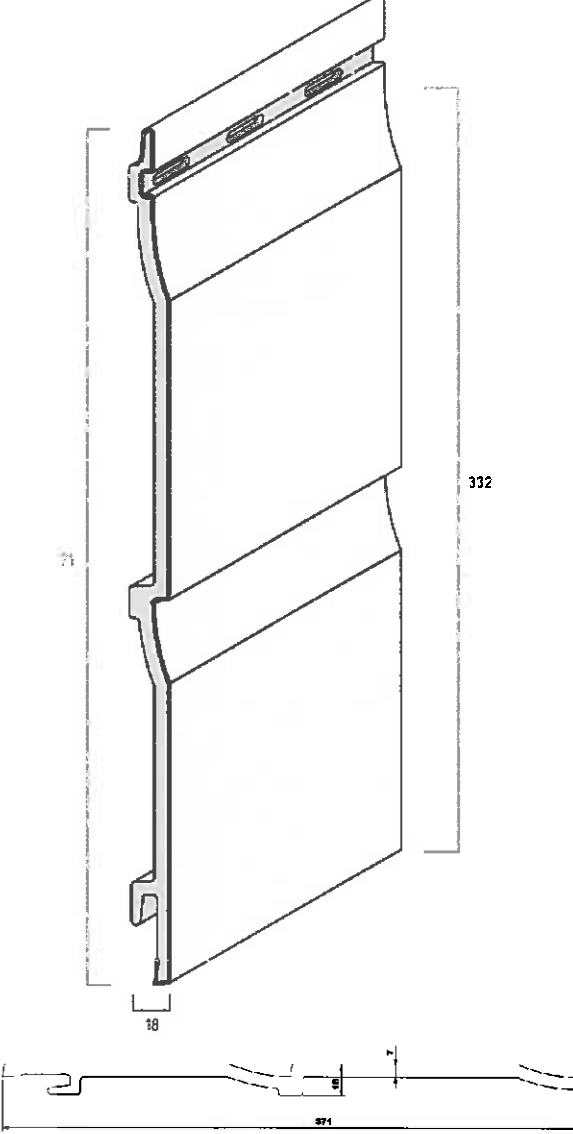
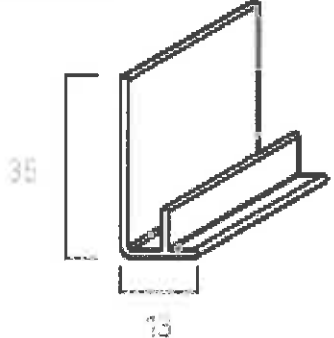
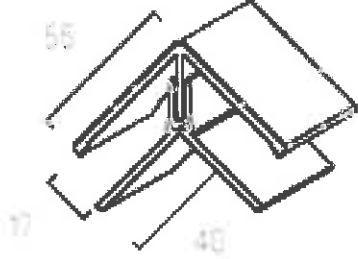
Andrzej Kolbrecki PhD Eng.

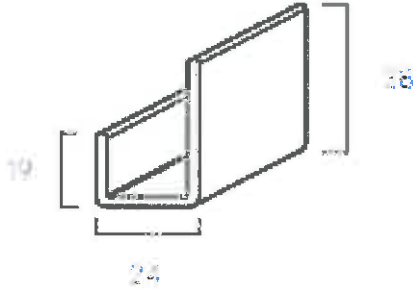
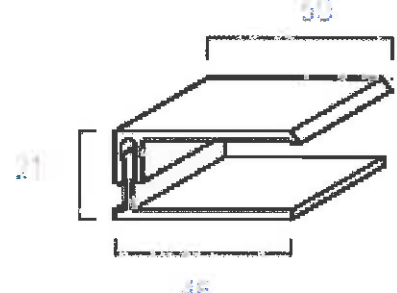
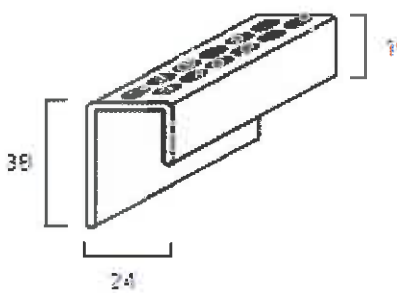
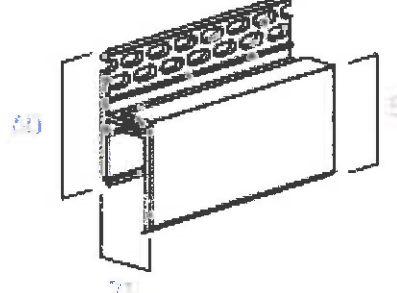
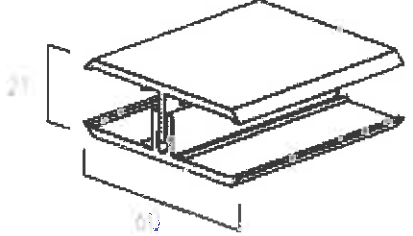
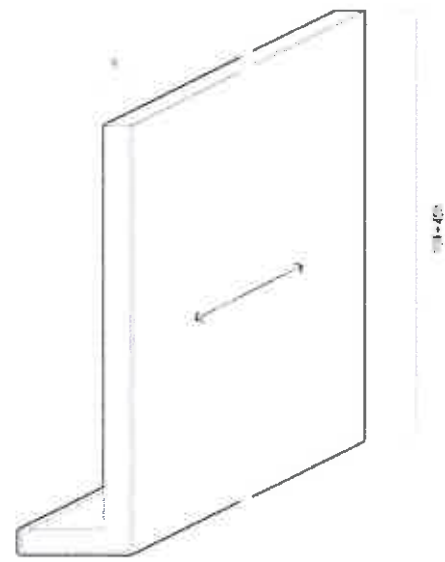
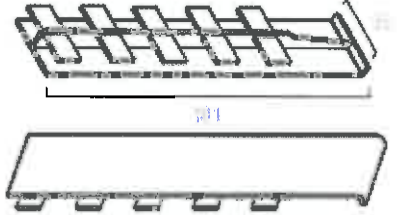
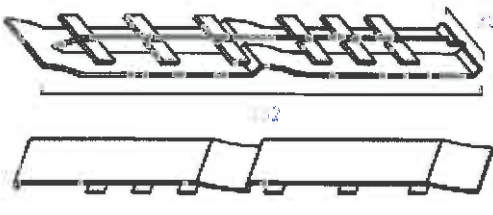
Approved

p. o. KIEROWNIKA
Zakładu Badań Ogniwych



mgr inż. Marek Łukomski

FS-201	FS-202
	
FS-211	FS-222
	
FS-251	FS-252

 <p>19</p> <p>24</p> <p>26</p>	 <p>21</p> <p>46</p> <p>50</p>
<p>FS-261</p>	<p>FS-262</p>
 <p>38</p> <p>24</p> <p>19</p>	 <p>50</p> <p>21</p> <p>50</p>
<p>FS-282</p>	<p>PZ-607</p>
 <p>21</p> <p>60</p>	 <p>100</p> <p>100</p>
<p>J-201</p>	<p>J-202</p>
 <p>101</p>	 <p>102</p>