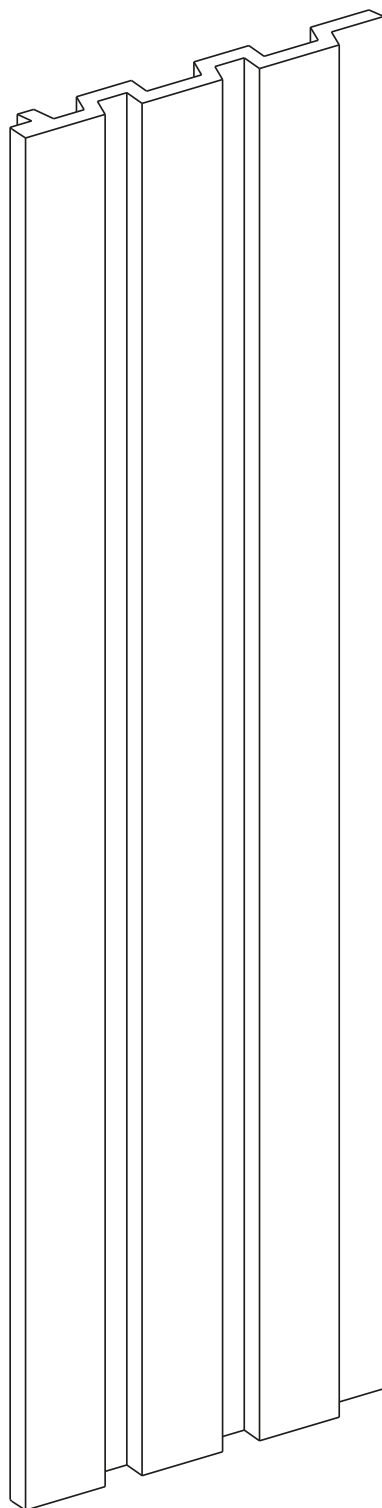


LINERIO SLAT PANELS

Installation instructions



INSTALLATION INSTRUCTIONS

General Information with or without trims

- Linerio panels should be installed with glue
- panels can be installed vertically, horizontally or diagonally
- the person installing the boards should have basic technical knowledge and be familiar with safety precautions
- after unpacking, each board's quality should be checked (for scratches, pattern print errors, discolorations)
- any noticeable product defects must be reported prior to installation- Complaints will not be considered after the goods have been installed.
- prior to the installation, the panels should be stored in the room where they are to be installed – to adjust to the ambient temperature
- the panels may be finished with trim or without trim
- the product can be installed in damp areas (kitchen, bathroom), except places exposed to direct contact with water.
- it must not be installed in areas of increased temperatures (above 60° C), like a sauna, on a chimney, next to a cooker
- the product is only suitable for indoor applications
- 100% recyclable
- any non-compliance with the instructions will void the product's warranty

Hanging shelves on panels

- no additional weight should be applied to the board, and neither should it be a bearing element in construction
- no hangers, shelves or any other objects may be directly screwed to the board
- instead, they should be mounted to the surface underneath the board, with screws or anchors intended for the given type of surface. To do so, drill the appropriate hole in the board, allowing for such possibility

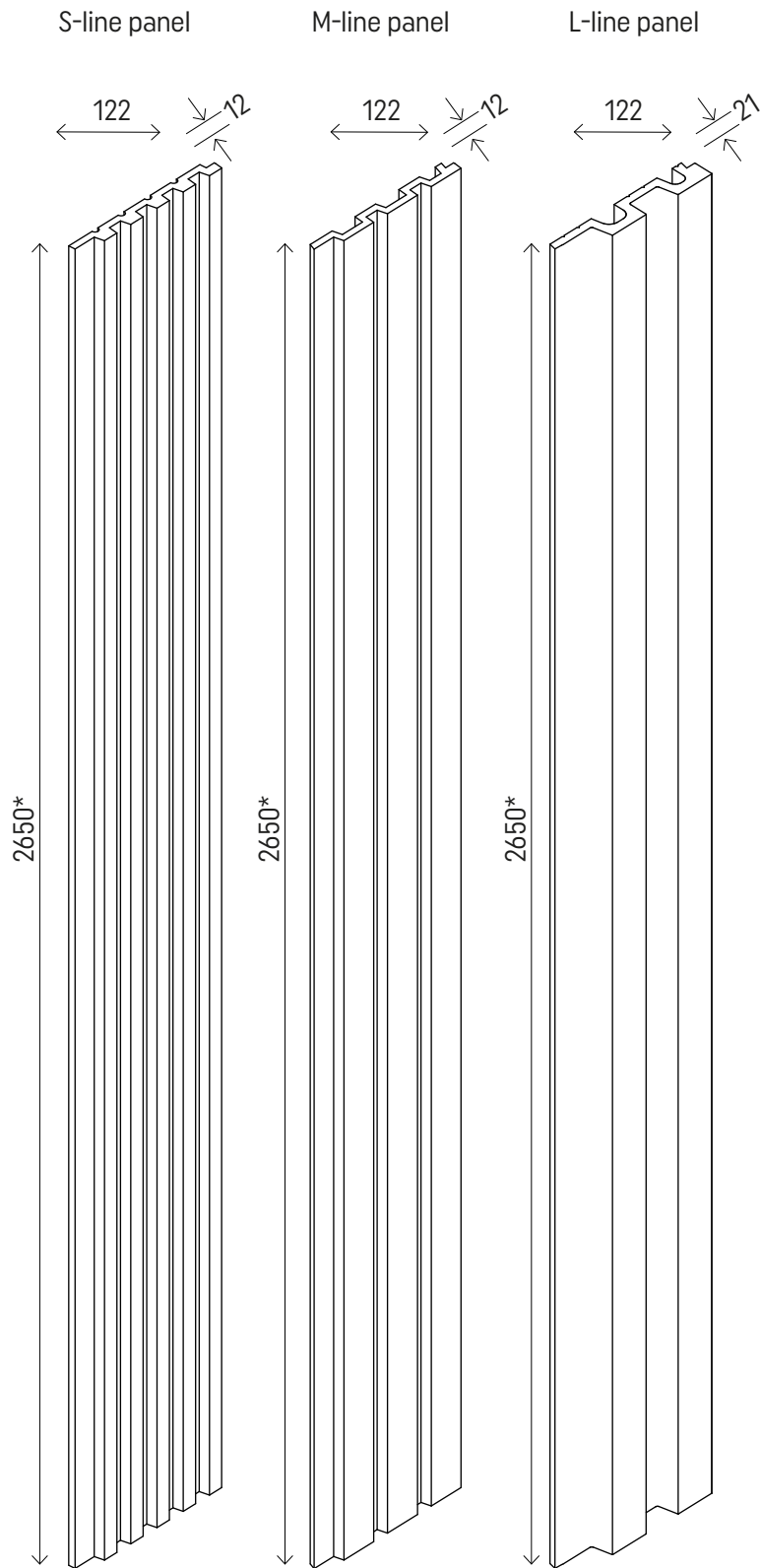
Installation of the panels

- the surface should be smooth, not crumbling, ensuring good adhesion
- we recommend the use of one-component hybrid polymer adhesives that do not contain solvents and isocyanates, e.g. glue VOX
- the glue should be applied according to its instructions, in a well ventilated area
- apply the glue vertically on panels and trims in places where they adhere to the wall.
- installation must be carried out starting from the corner installing the panels from the left to the right after placing the first panel you can use a handsaw, table saw or Jigsaw to cut the panels
- the finishing trims are installed with glue
- the installation should begin with the assembly of the left L-trim and end with the right R-trim.
- universal U strip is used to finish the wall both from the top and from the bottom.
- you can use for cutting: a hand saw, a jigsaw, a table saw

Cleaning

- clean the panels with a mild detergent
- do not allow liquid stains to dry
- cleaning substances left on the panels can cause discoloration
- do not use water at a temperature of + 40 ° strong detergents, bleaching agents, solvents, strong acids and bases, and abrasives

PANELS AND TRIMS



S-Line
left trim
2650*x28x12



S-Line
right trim
2650*x35x12



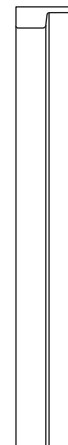
M-Line
left trim
2650*x42x12



M-Line
right trim
2650*x26x12



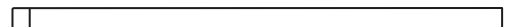
L-Line
left trim
2650*x61x21



L-Line
right trim
2650*x32x21

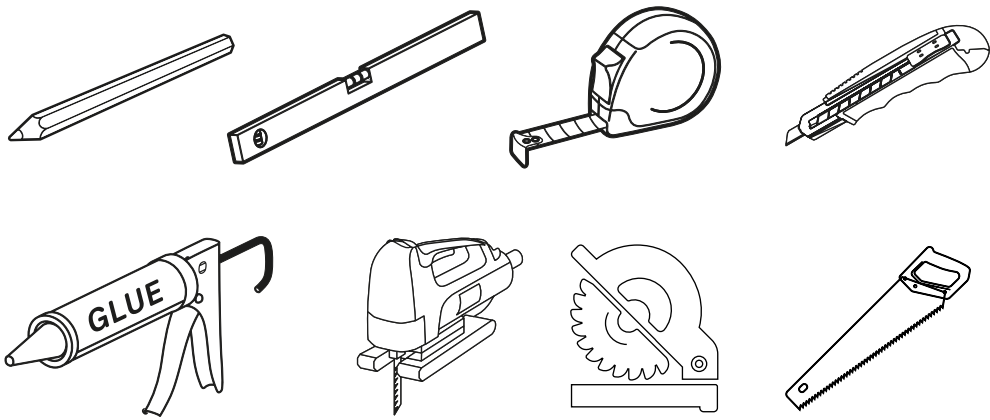


Universal trim U
2650*x25x12

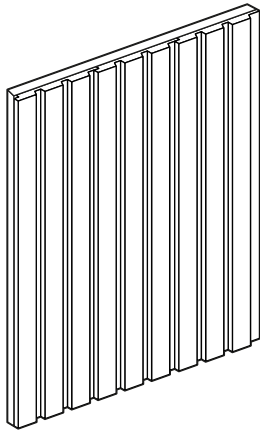


* The product may be longer than the declared dimension by approximately 2 cm.

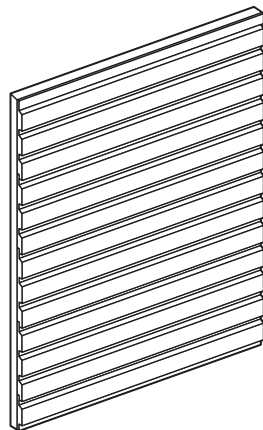
TOOLS



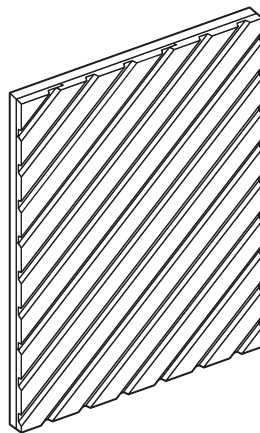
INSTALLATION OPTIONS



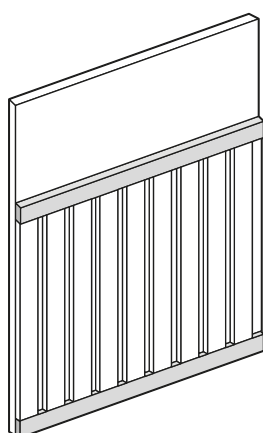
Vertically



Horizontally

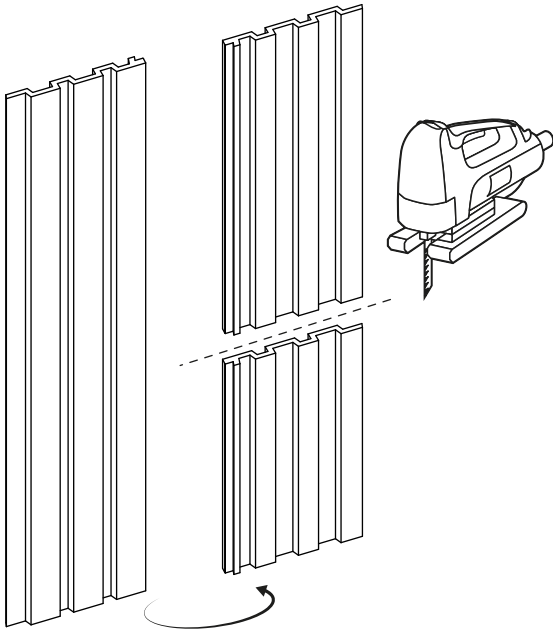


Diagonally

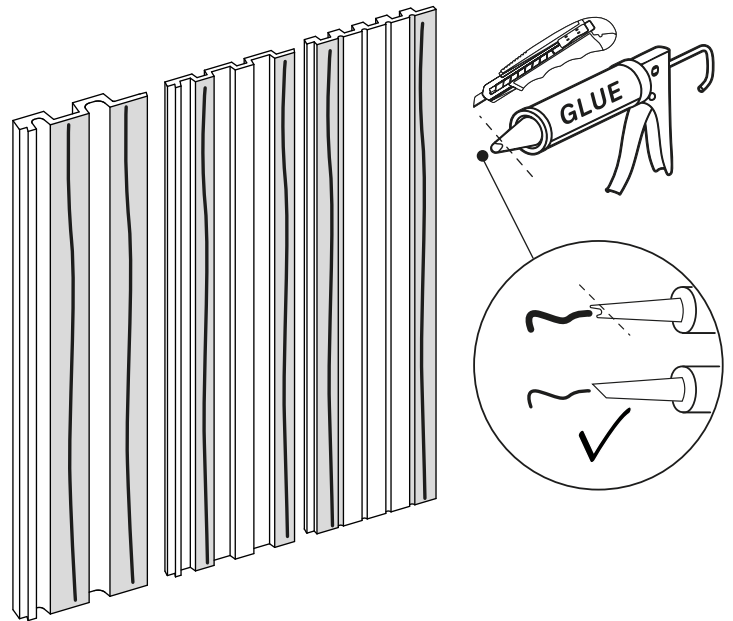


Paneling

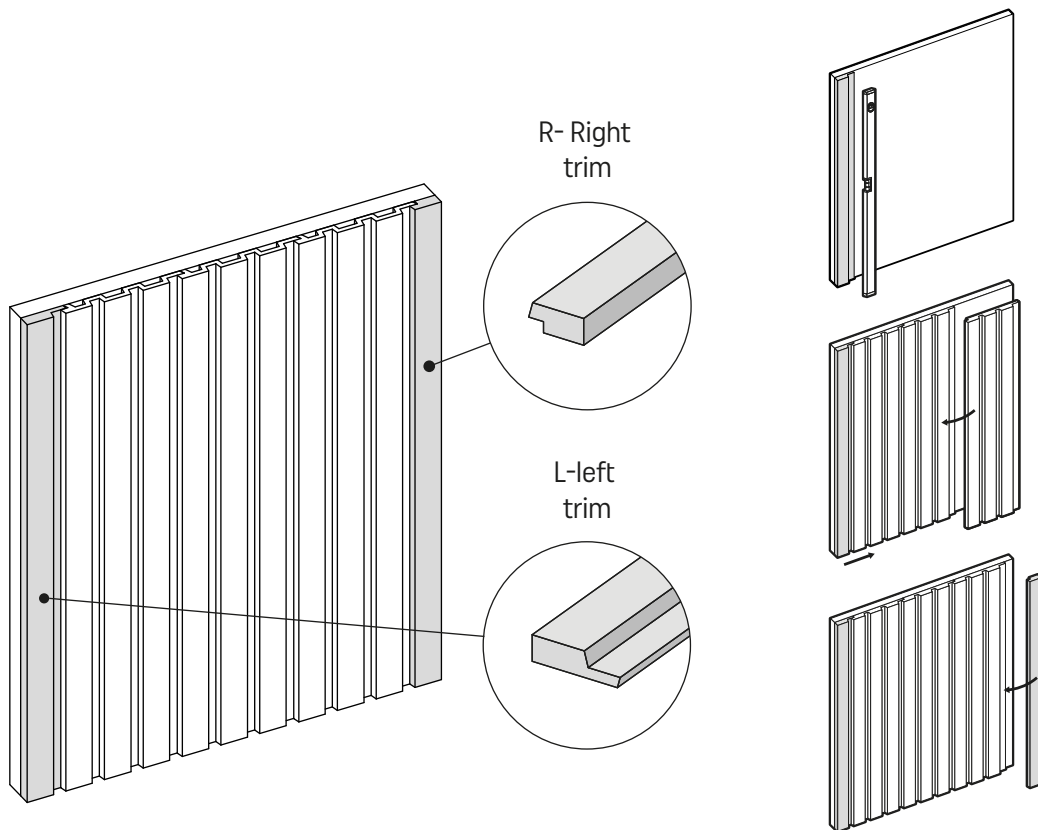
1. Cutting



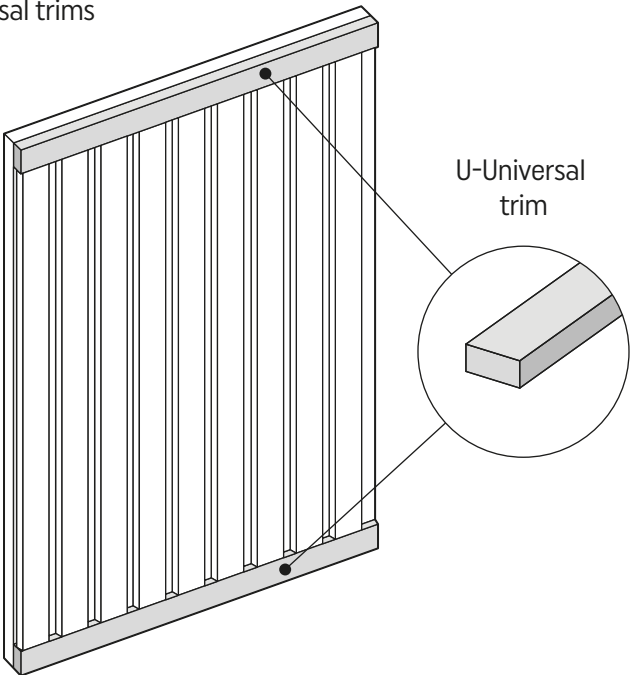
2. Glue application



3. Installation with side trims



4. Optional installation with universal trims



5. External corner

