

KERRADECO

Decorative panels

MANUAL FOR INSTALLATION AND USE



TABLE OF CONTENTS

- General guidelines 3
- Boards and trims 4
- Tools 4
- Basic rules for boards assembly and their sequence 5
- Installation on a wooden frame – frame construction 6
- Installation on a wooden frame – board assembly 7
- Installation with glue – board assembly 8
- Finishing angles without finishing trims 9
- Finishing angles with the finishing trims 10
- Installation in damp areas 11

GENERAL GUIDELINES

1. General information about the product and installation

- Kerradeco boards may be installed on a wooden frame or using a glue
- the boards can be installed, depending on the depending on the length (horizontally or vertically). Short panels (1,35 m) should be installed horizontally and long panels (2,7 m and 3,0 m) vertically.
- the person installing the boards should have basic technical knowledge and be familiar with safety precautions
- after unpacking, each board's quality should be checked (for scratches, pattern print errors, discolorations)
- prior to the installation, the boards should be stored in the room where they are to be installed – to adjust to the ambient temperature
- the boards should be assembled in the sequence specified by the numbers on their backsides
- the boards may be finished with trim or without trim
- the product can be installed in damp areas (kitchen, bathroom), providing it has been sealed with silicon
- it must not be installed in areas of increased temperatures (above 60° C), like a sauna, on a chimney, next to a cooker
- the product is only suitable for indoor applications
- 100% recyclable
- any non-compliance with the instructions will void the product's warranty

2. Installation of the boards

- the installation should always be done from the left to the right and from the bottom to the top
- after placement of the first board, you need to verify its vertical / horizontal alignment and fasten it, then you slide on the next board and fasten it with a hammer and a tapping block
- before fastening the board permanently, you need to make sure that there is no gap between the boards and verify again its vertical / horizontal alignment

3. Wooden frame construction

- the frame should be made of wooden battens fastened directly to the wall
- using a level, you must level the battens so they are flush with each other; if necessary, you can use shims or wedges to keep the boards level
- the battens should run perpendicular to the direction of the boards – if the boards are being assembled vertically, the battens should be placed horizontally, and the other way around
- distance between the battens – 40 cm
- the battens should be:
 - made of good quality wood, without any knots
 - attached to the wall in a secure and strong manner, with screws or other mounting devices that are appropriate for the given surface
 - the battens should be stored in the room in which they will be mounted for at least 24 hours (to adjust to the ambient temperature and humidity)

4. Installation on wooden frame

- screw down the boards to the battens through the board's tongue, along the long edge and within the area marked by a groove
- the screw should go in deep enough so that it does not snag when you slide on the next board

5. Installation with glue

- the surface should be smooth, not crumbling, ensuring good adhesion
- we recommend the use VOX mounting adhesive (art. No. 6004018) or any other universal adhesive based on hybrid polymer (silane-modified polyurethane) characterized by high initial bonding strength
- the glue should be applied according to its instructions, in a well ventilated area
- apply the glue in a S-shaped motion
- the surface of the first board on a given wall should be completely covered with glue; each successive one only along the edge with the tongue

6. Cutting the boards

- to cut the boards you can use: hand saw, jigsaw, table saw
- when adjusting the board for the trims, cut off the tongues or grooves with a sharp knife

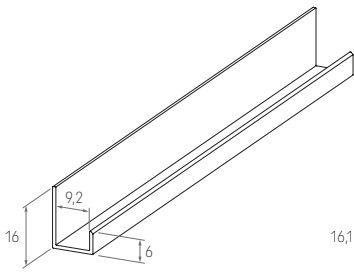
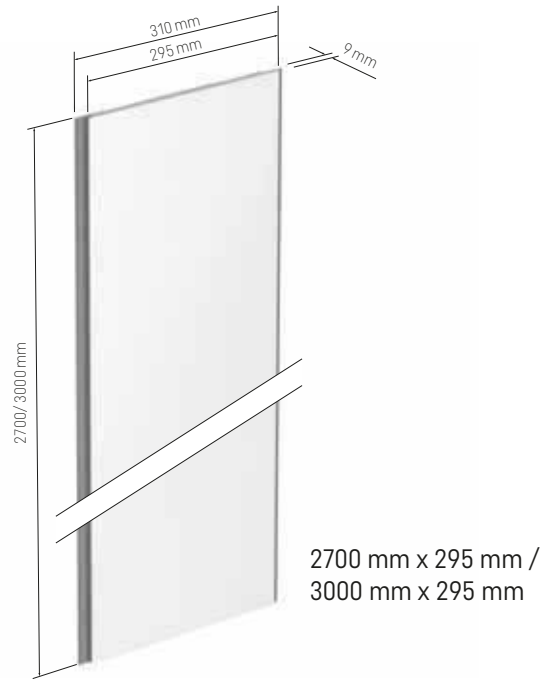
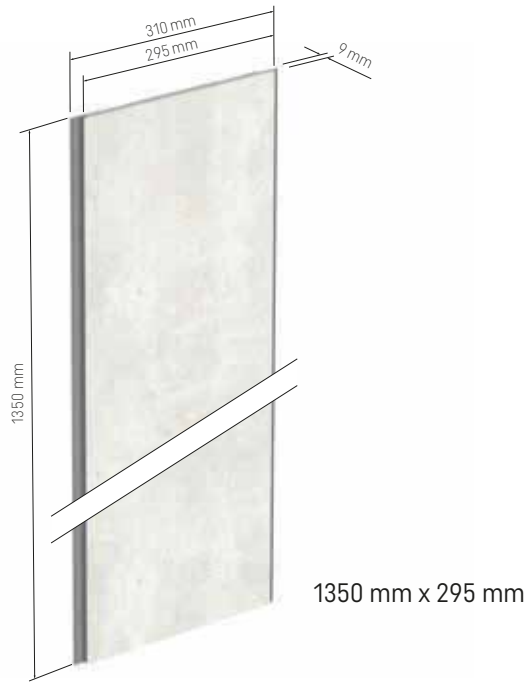
7. Hanging shelves on KERRADECO

- no additional weight should be applied to the board, and neither should it be a bearing element in construction
- no hangers, shelves or any other objects may be directly screwed to the board
- instead, they should be mounted to the surface underneath the board, with screws or anchors intended for the given type of surface. To do so, drill the appropriate hole in the board, allowing for such possibility

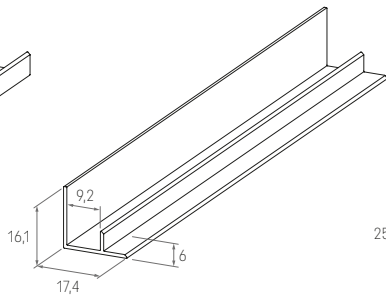
8. Cleaning

- do not allow liquid stains to dry
- from time to time, clean the boards with a damp cloth and a mild detergent
- intensive scrubbing and use of strong detergents may damage the board's surface or cause its discoloration
- do not clean with coarse and rough clothes, sponges or brushes
- never use solvents, acids or any other liquids based on these substances for cleaning
- no cleaning liquids should be left on the surface, they must be rinsed off with water; cleaning substances left out on the surface may cause its discoloration

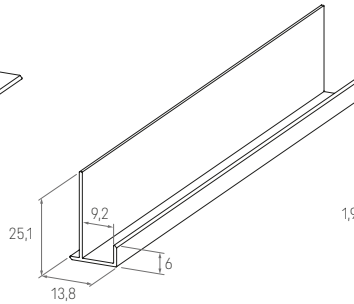
BOARDS AND TRIMS



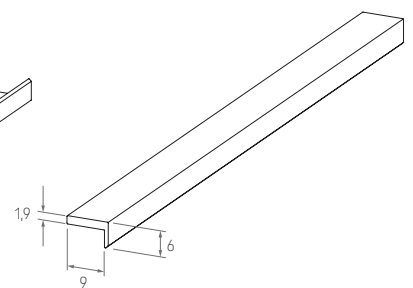
A - 01
Starter trim



A - 02
Internal Angle



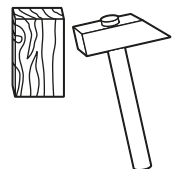
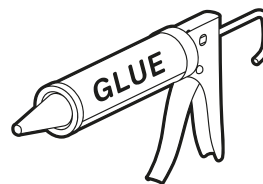
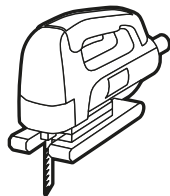
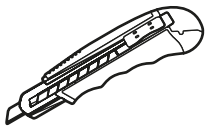
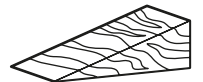
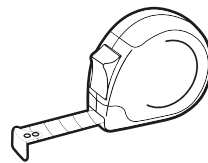
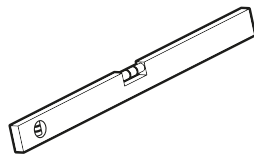
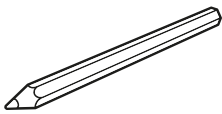
A - 03
External Angle 1



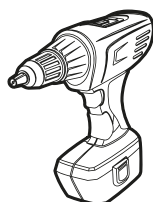
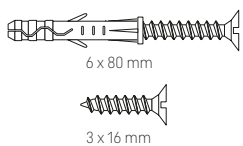
A - 05
Top Edge Trim

TOOLS

Basic tools



Additional tools for wooden frame construction

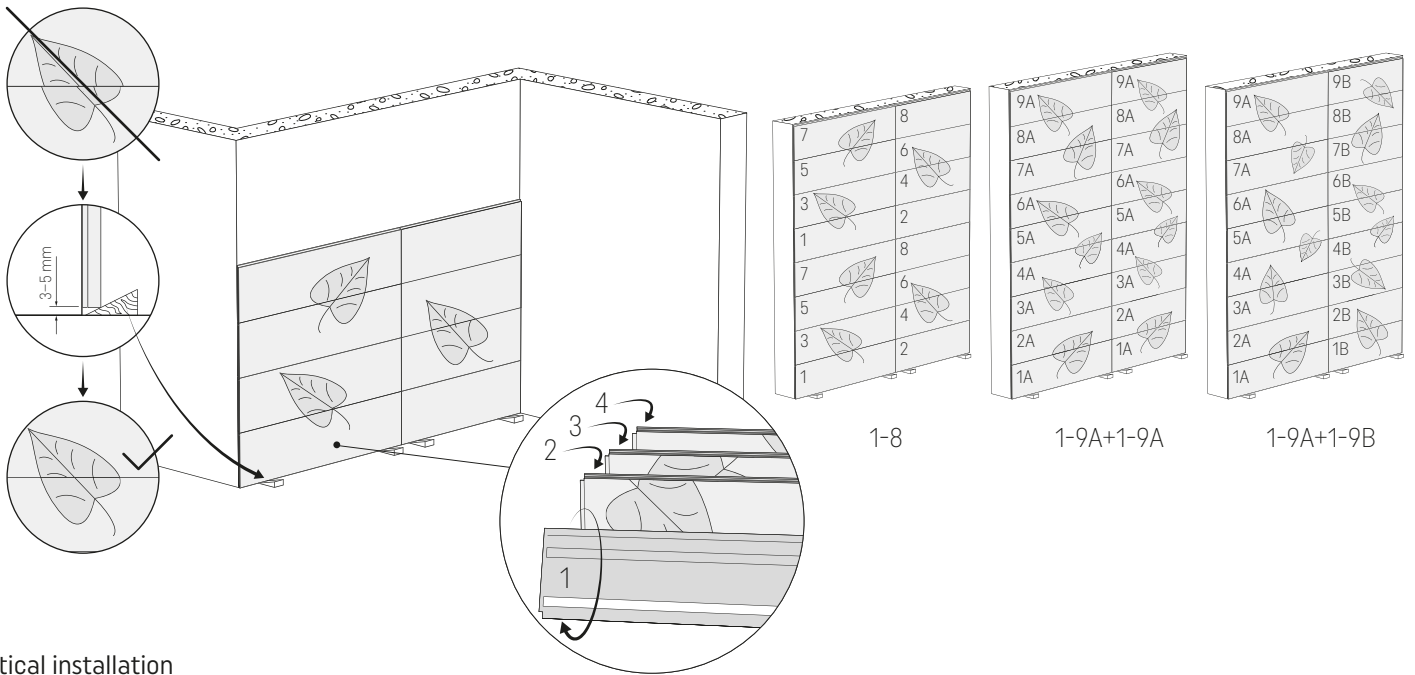


Additional tools for installation in damp areas

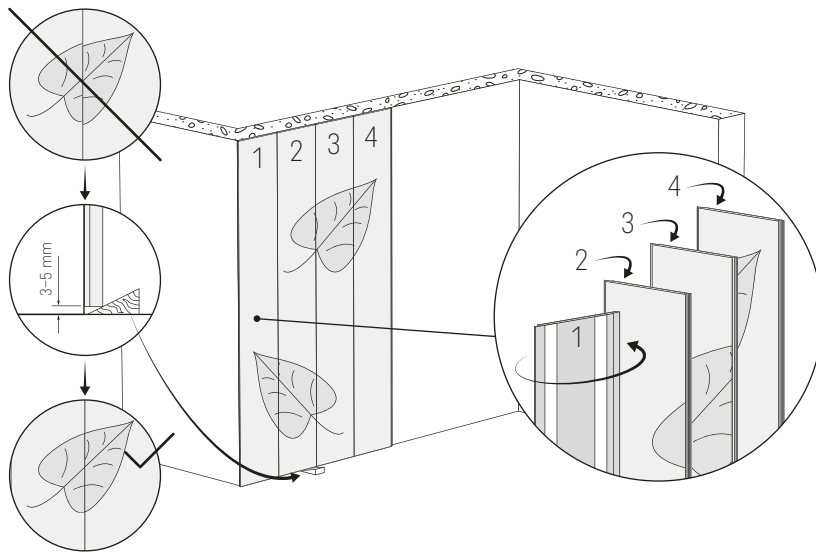


BASIC RULES FOR BOARDS ASSEMBLY AND THEIR SEQUENCE

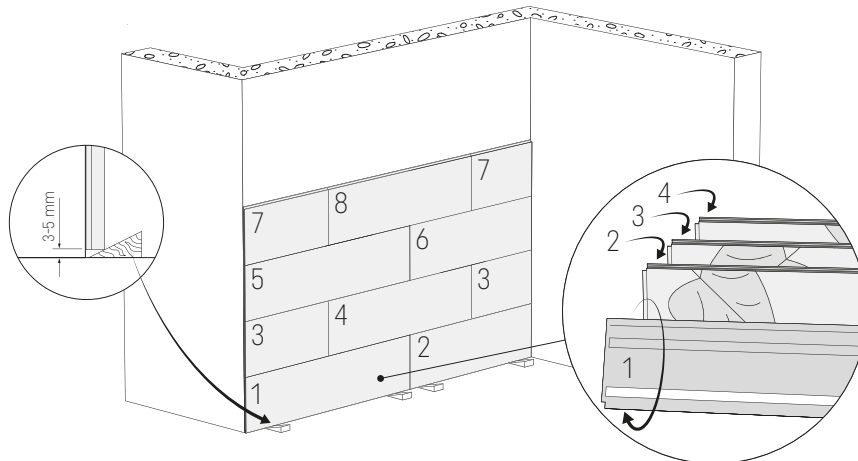
Horizontal installation



Vertical installation



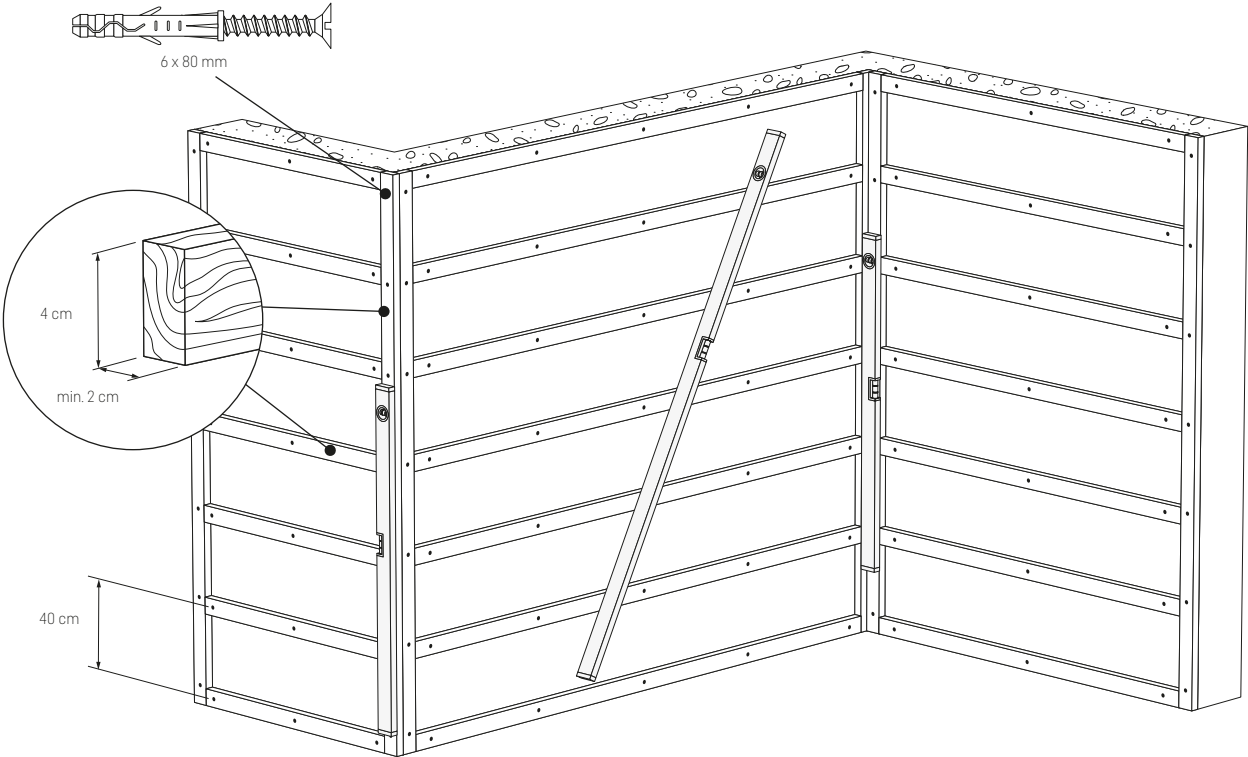
Horizontal installation - brick effect



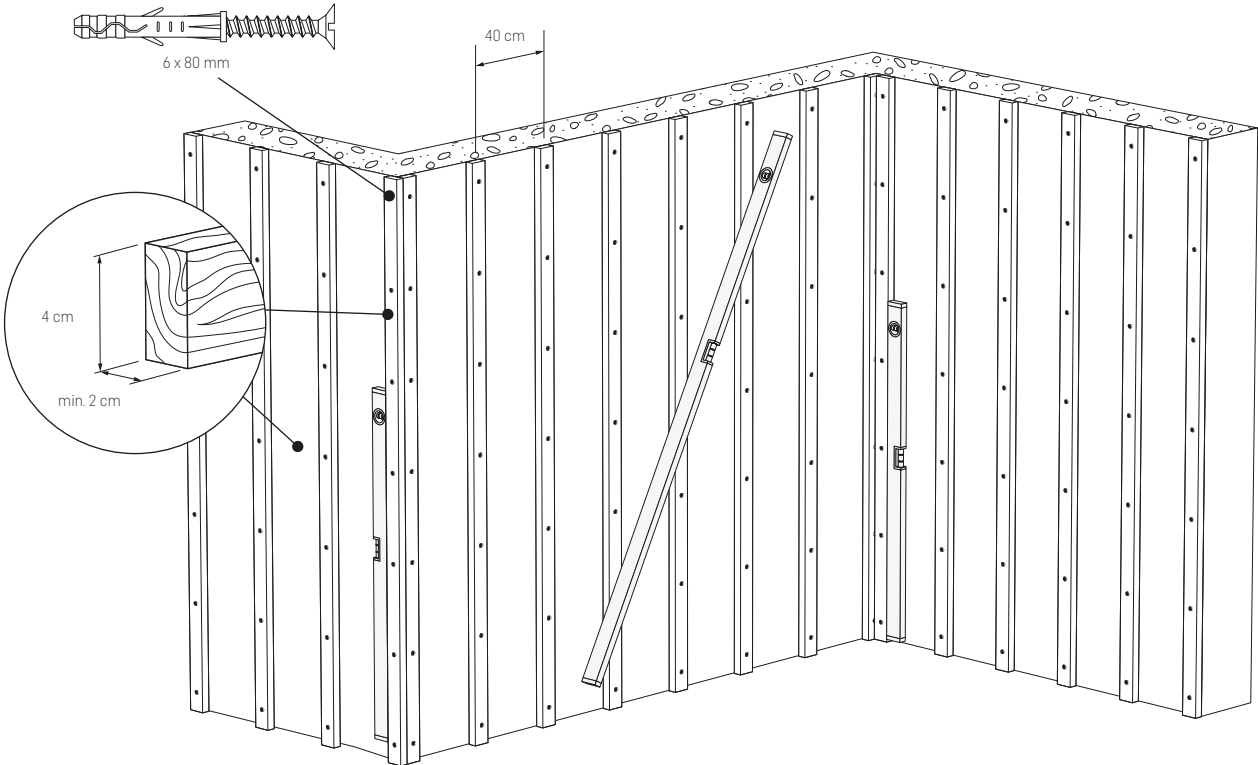
A wedge can be used to even the printed pattern and to maintain the distance on the finishing trim.

INSTALLATION ON A WOODEN FRAME – FRAME CONSTRUCTION

Vertical installation

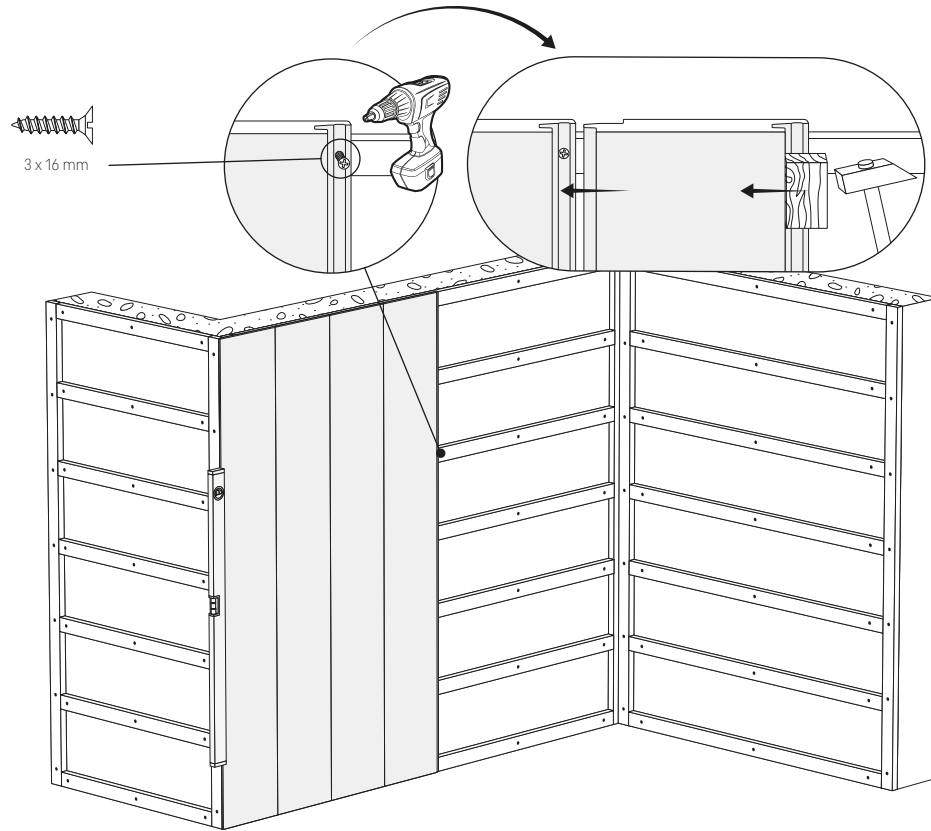


Horizontal installation

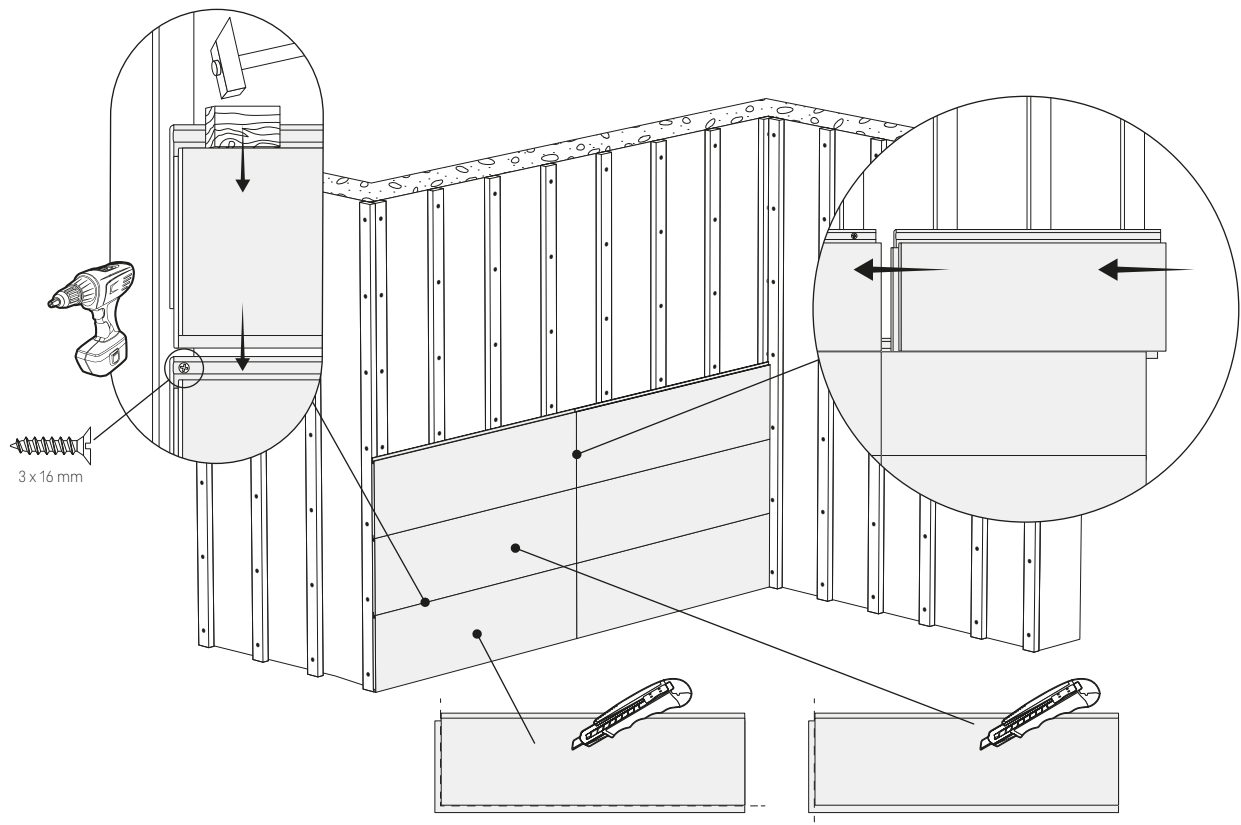


INSTALLATION ON A WOODEN FRAME – BOARD ASSEMBLY

Vertical installation



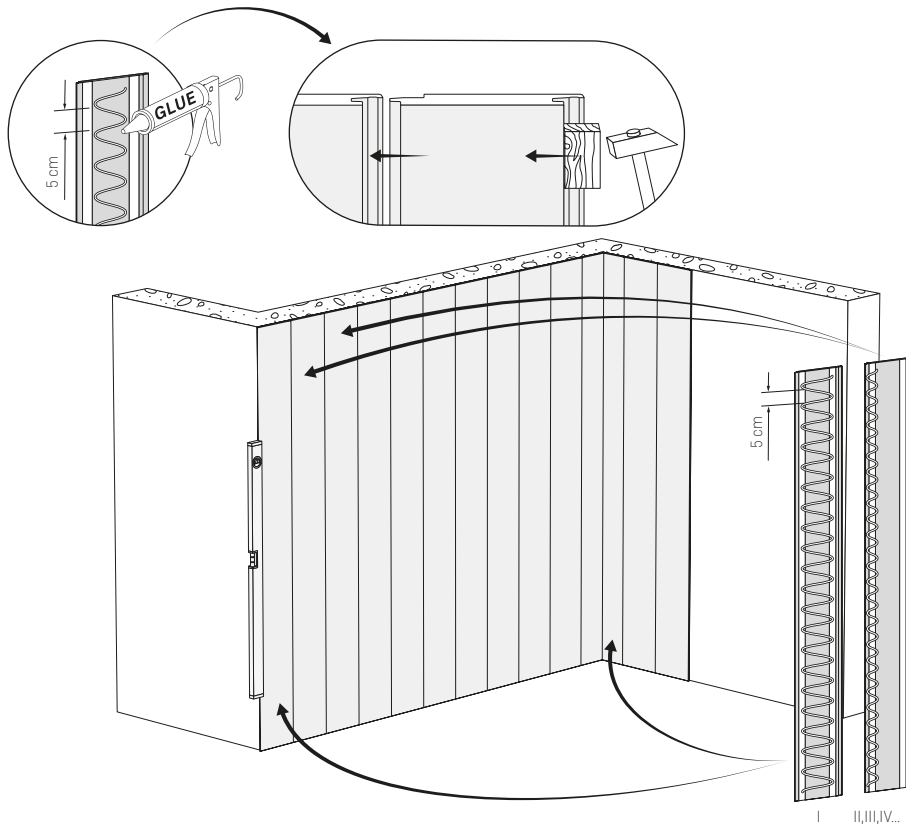
Horizontal installation



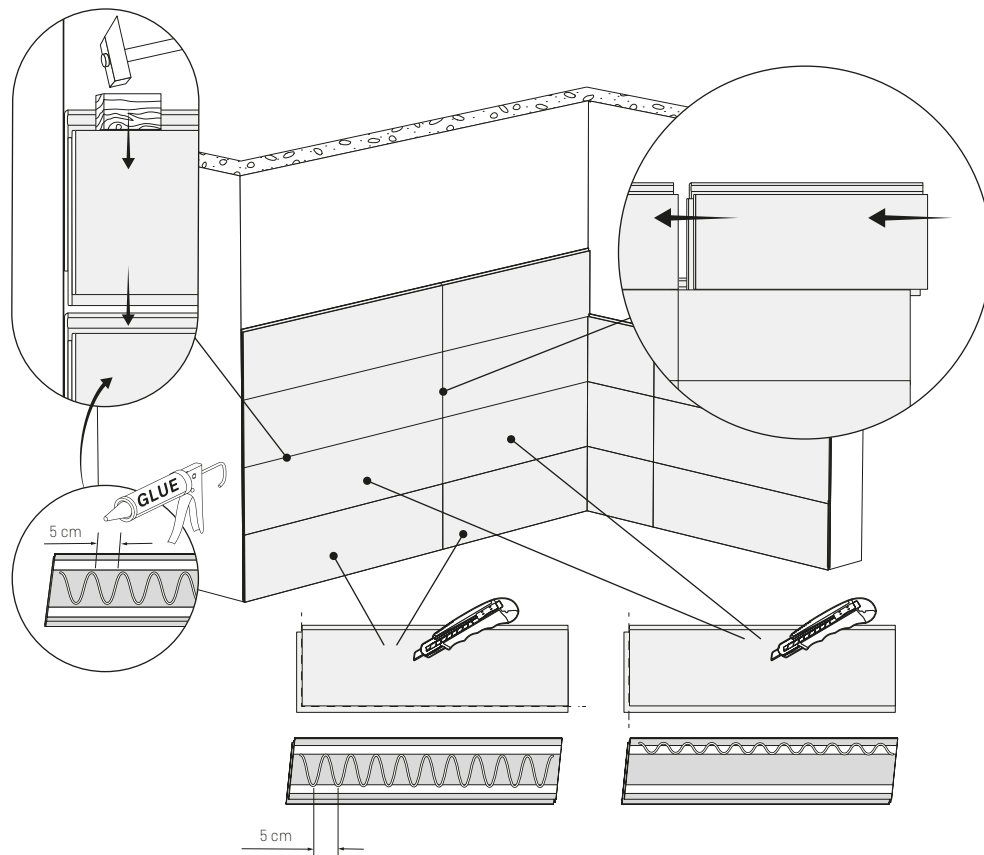
A tapping block should be used to avoid damage to the board's edge or its groove. The boards should be placed without any gaps between them.

INSTALLATION WITH GLUE – BOARDS ASSEMBLY

Vertical installation



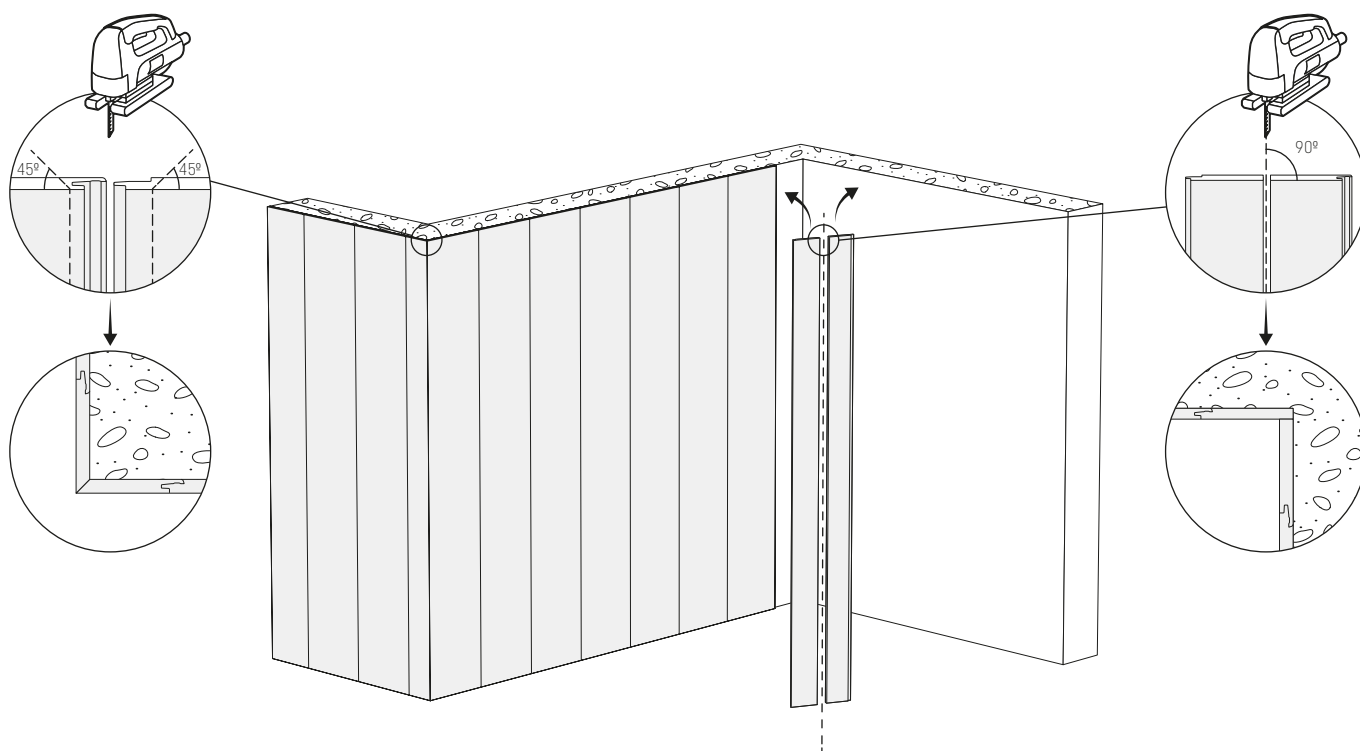
Horizontal installation



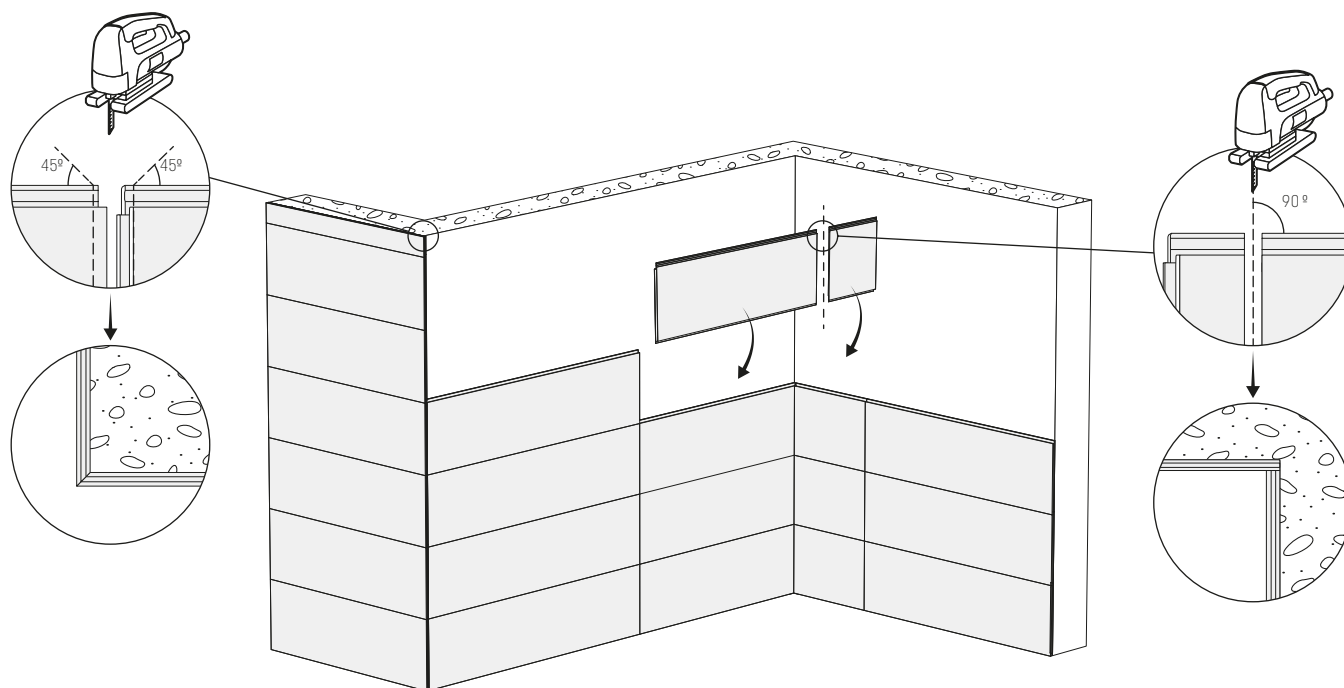
When installing boards with glue, make sure that the surface is smooth, not crumbling, ensuring good adhesion (for example: concrete, ceramic tiles, dry wall). The surface of the first board on a given wall should be completely covered with glue, each successive one only along the board's edge with the tongue.

FINISHING ANGLES WITHOUT THE FINISHING TRIMS

Vertical installation

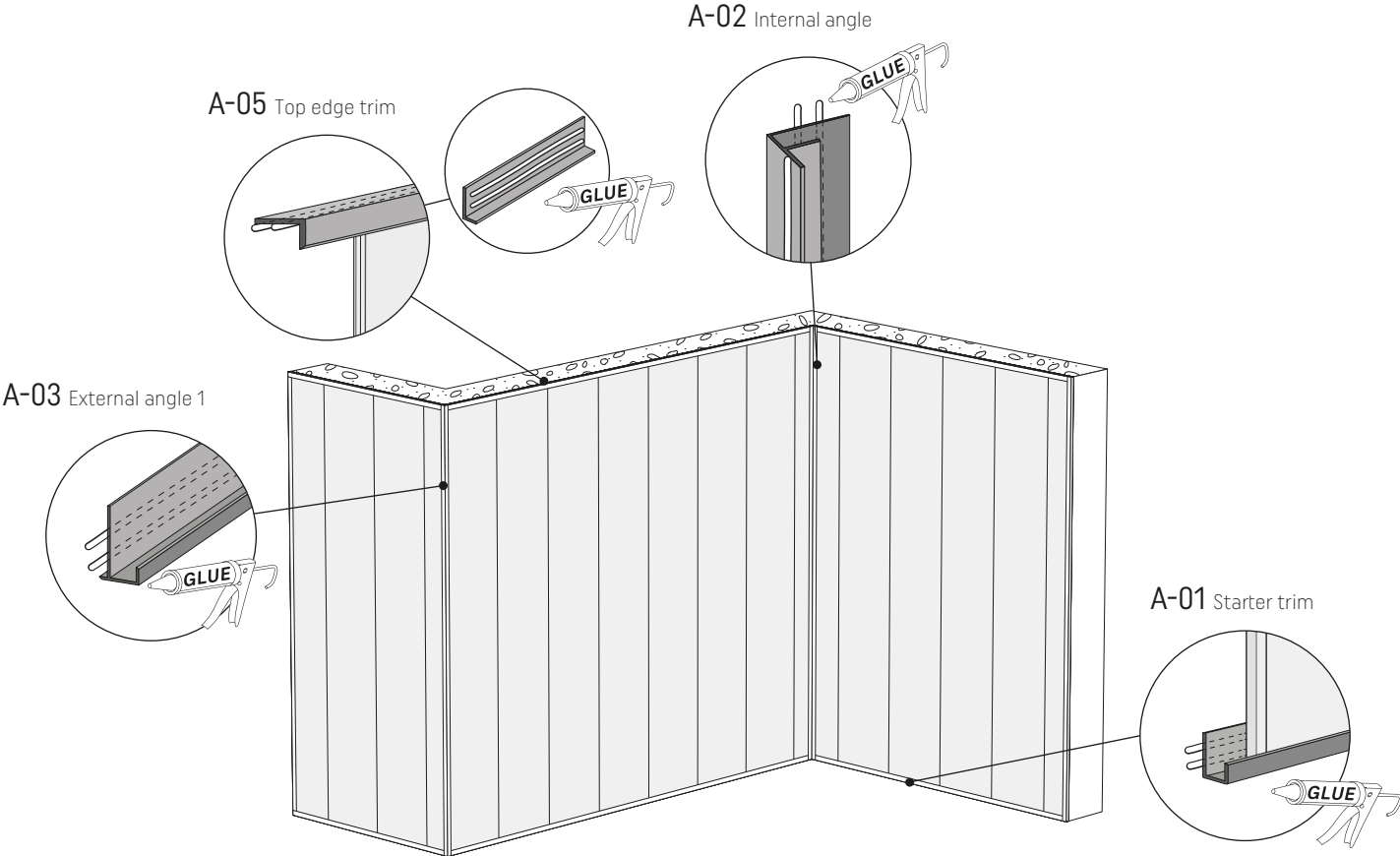
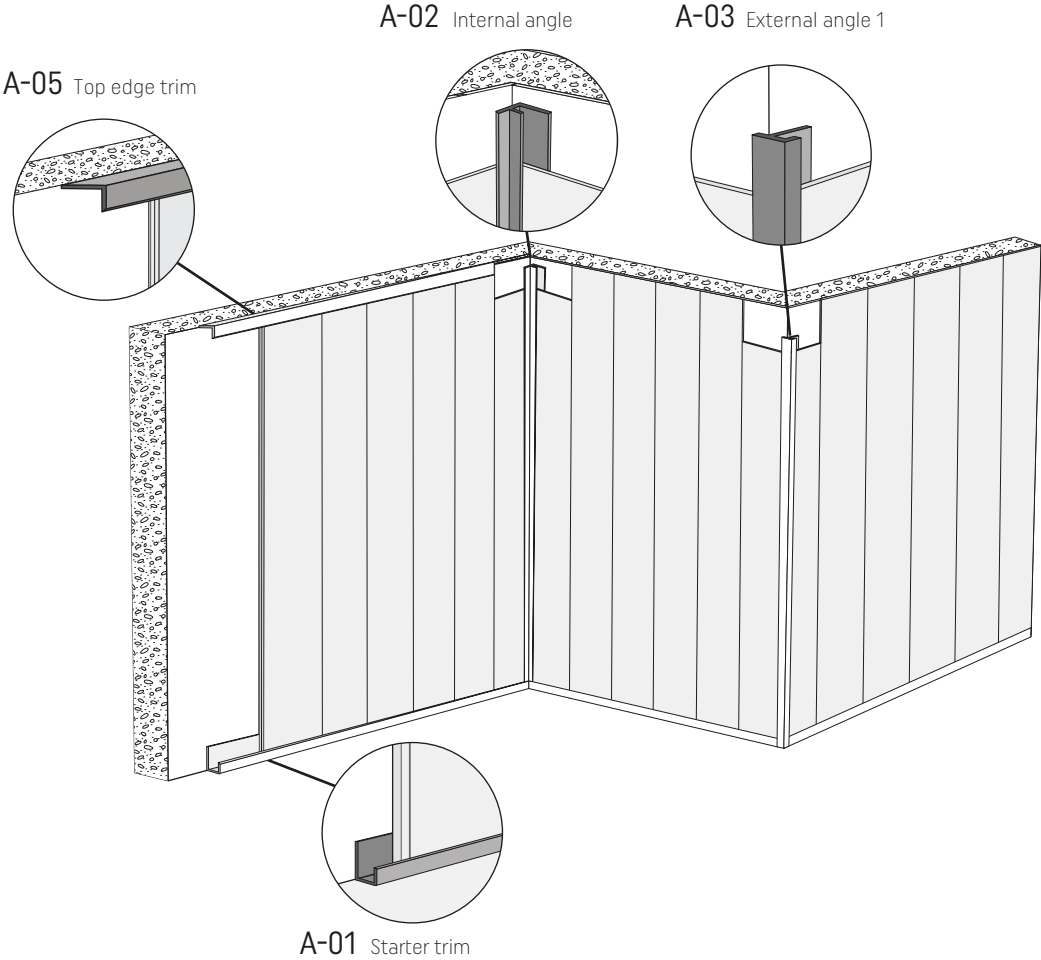


Horizontal installation



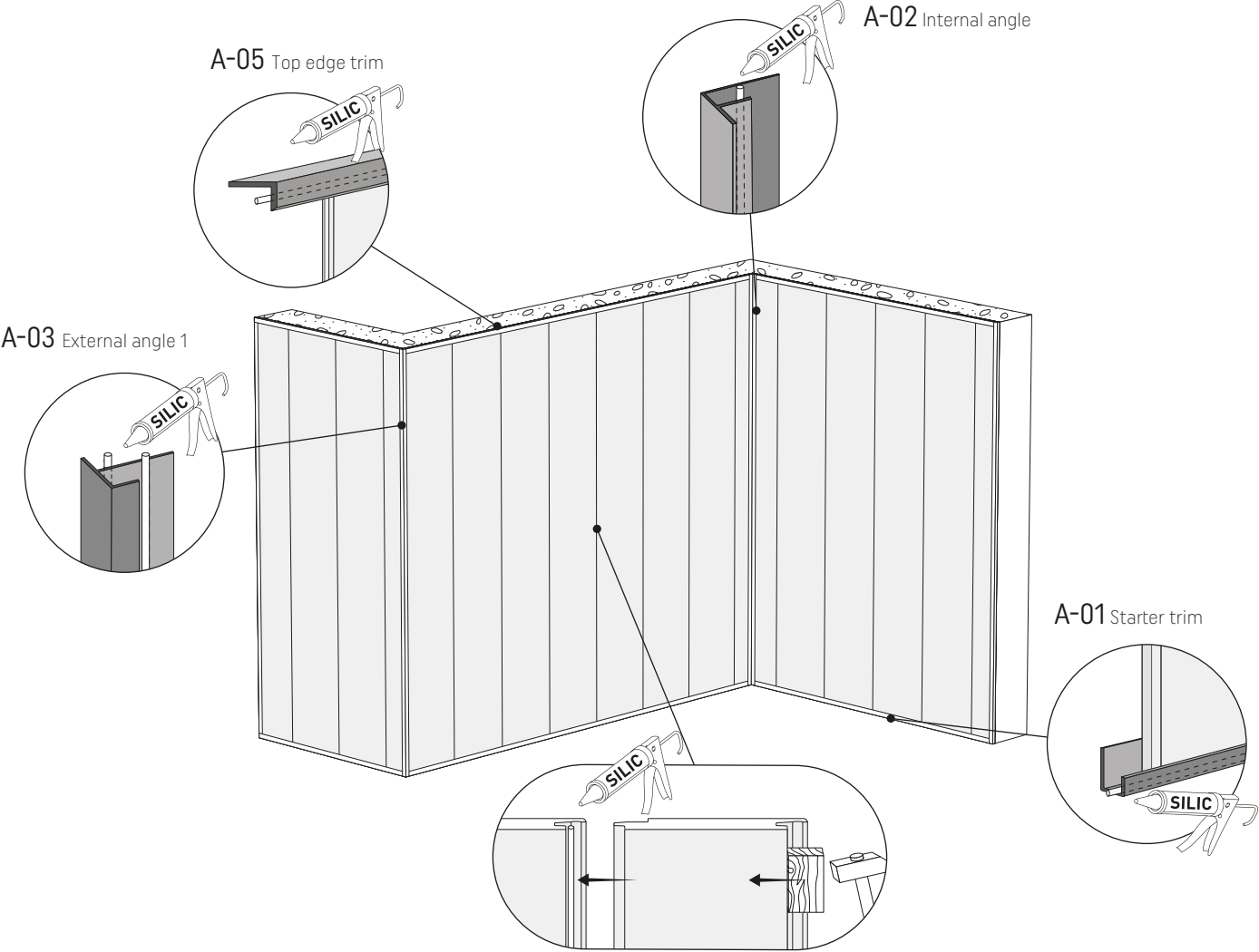
Finishing angles without the finishing trims require more advanced technical skills.

FINISHING ANGLES WITH THE FINISHING TRIMS



In case of the internal angles, the trim should be placed on the board before its installation.

INSTALLATION IN DAMP AREAS



Kerradeco boards are waterproof, but their joints need to be additionally sealed with silicon – to prevent water from penetrating the gaps. Particular attention should be paid to the angles and to the spaces along the ceiling and the floor.

vox.pl

Profile VOX sp. z o.o. sp. k.
ul. Gdyńska 143
62-004 Czerwonak
Polska

